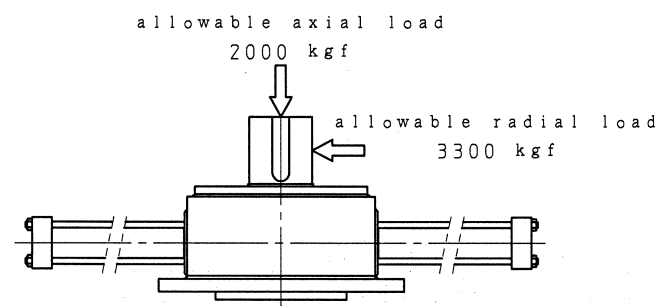
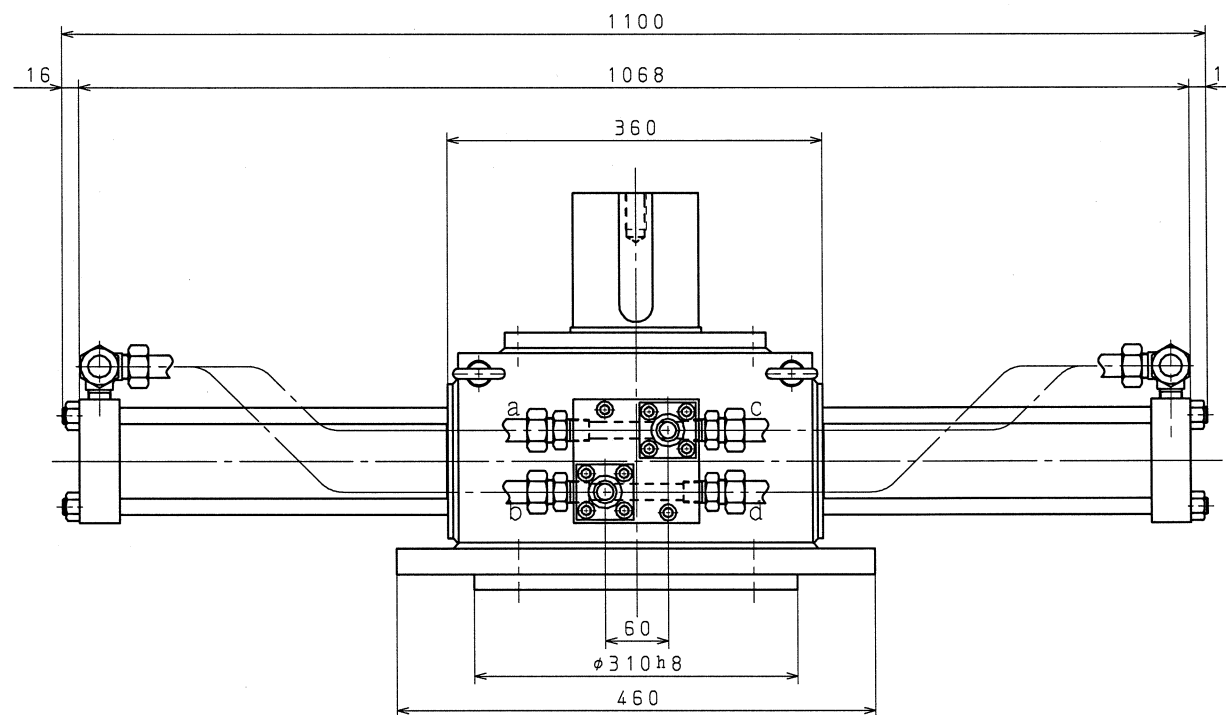
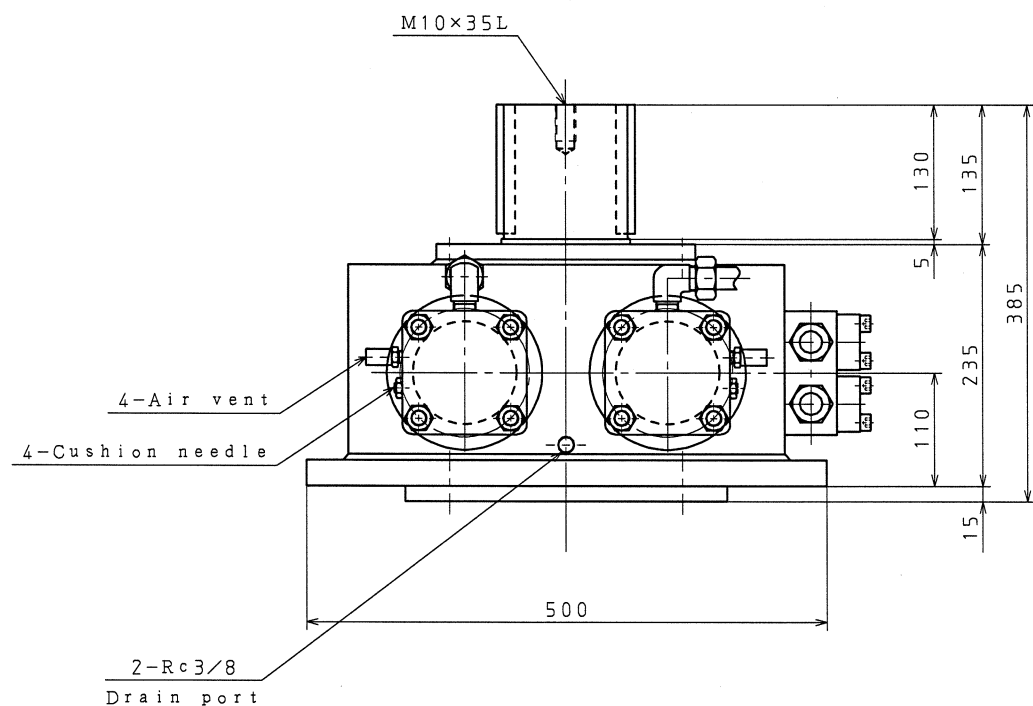
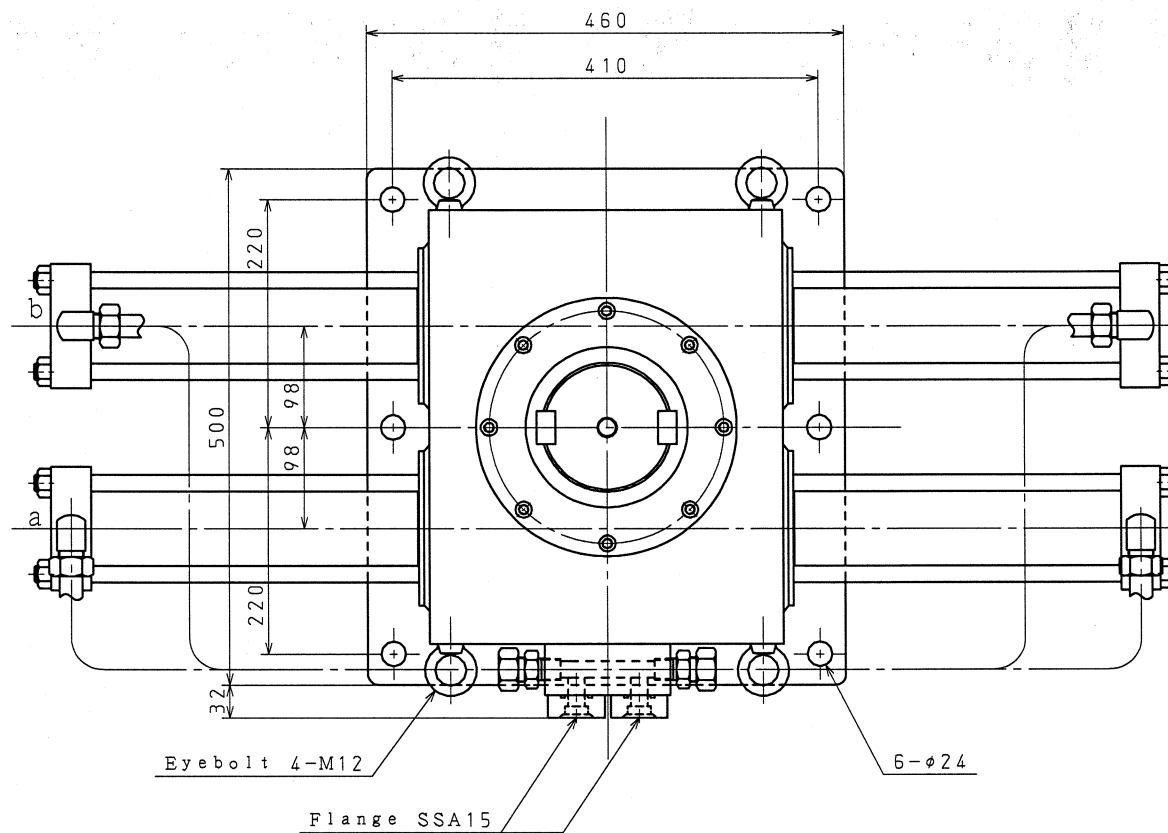
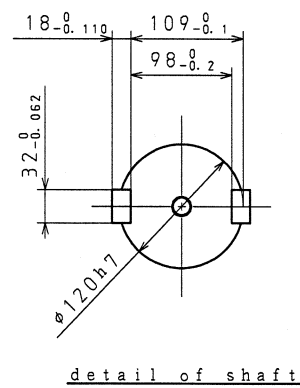


No.	DATE	NEWS	NAME
△			
△			
△			



SPECIFICATION		
MAXIMUM OPERATING PRESSURE	100	kg/cm <sup>2</sup>
PROOF PRESSURE	150	kg/cm <sup>2</sup>
TORQUE	750	kg·m
REVOLUTION ANGLE	180 <sup>+1.4</sup> <sub>0</sub>	°
REVOLUTION SPEED	0.26	rpm
OIL QUANTITY	3.5	L
PAINT COLOR	S31-435	
WEIGHT	APPROX 250	kg
MANUFACTURE QUANTITY	2	

BASIC DIMENSION TOLERANCE		No.	PARTICULARS	MATERIAL	Q. TY	REMARKS				
WITHIN	OPERATING	SCALE 1/5	DATE 2003. 4. 28	APP	CHE	DES	DWG	MY	TITLE	750kg·m
OVER	UNDER									
4	±0.1									
16	±0.2									
63	±0.3									
250	±0.5									
1000	±0.8									
2000	±1.2									
THE OTHERS BASIC DIMENSION IS JIS TYPE B										
NKK		NIPPON KIKI KOUGYOU Co., Ltd.				DWG/No.	202410-BC			