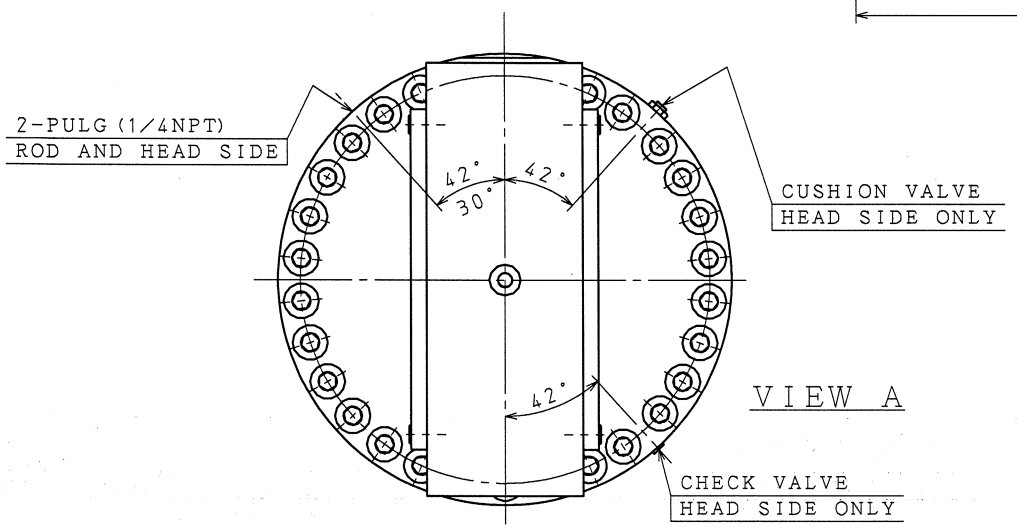
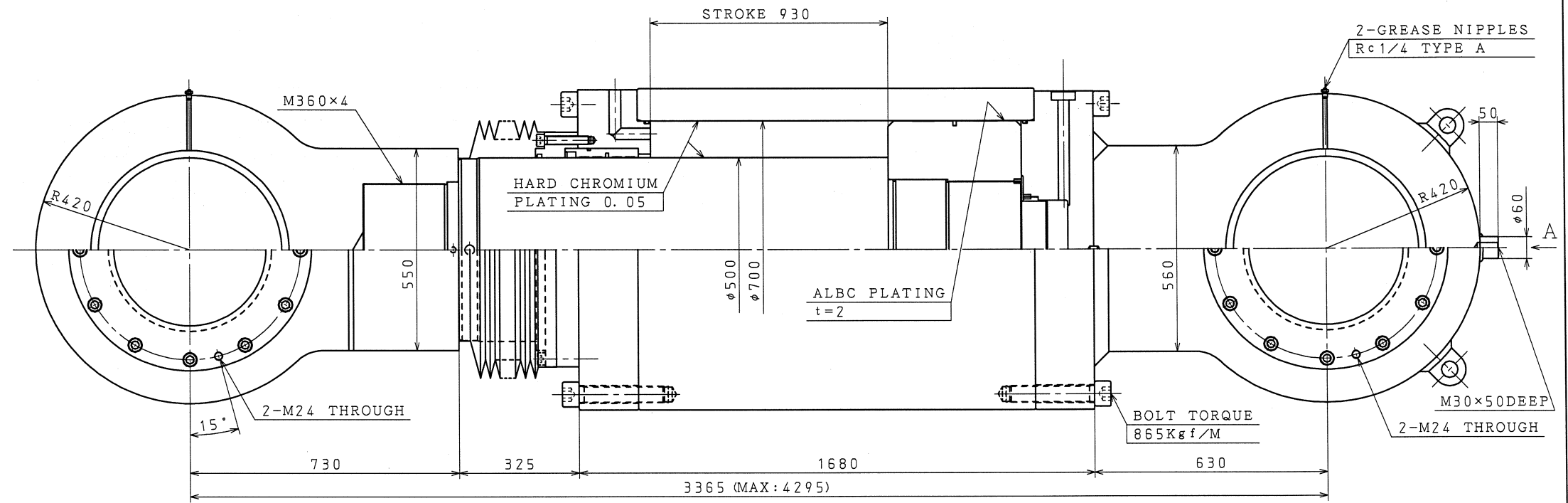
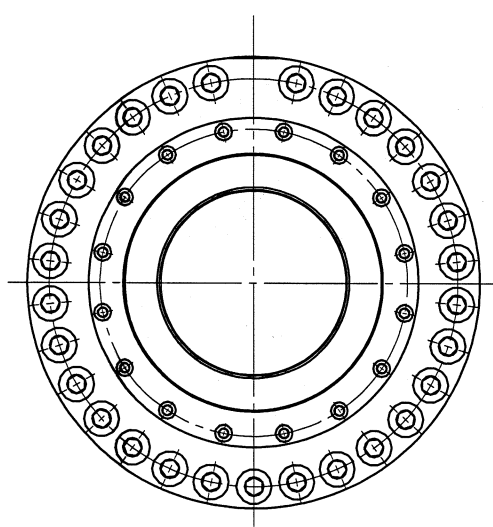
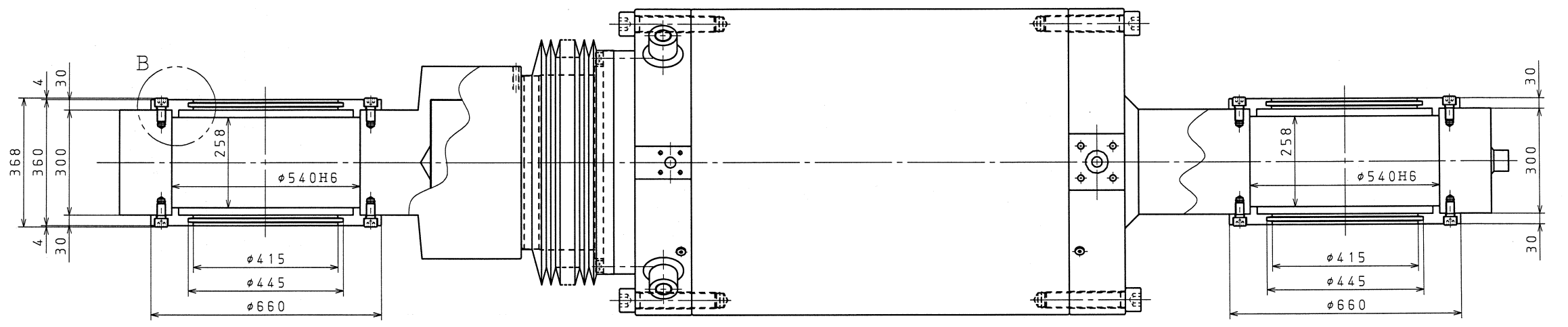
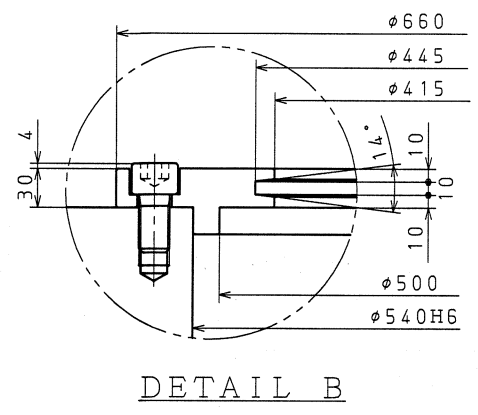


No.	DATE	NEWS	NAME
△			
△			
△			

No.	PARTICULARS	MATERIAL	Q. TY	REMARKS



SPECIFICATION	
MAXIMUM OPERATING PRESSURE	21 MPa
PROOF PRESSURE	31.5 MPa
PISTON ROD DIA	500 mm
CYLINDER TUBE BORE	700 mm
STROKE	930 mm
PISTON ROD MAX. SPEED	1.4 m/s
CUSHION	HEAD SIDE ONLY
PAINT COLOR	REFERENCE FOR NOTE g
MASS	APPROX 10300
HYDRAULIC FLUID	POLYOL-ESTER NAS CLASS 9
MANUFACTURE QUANTITY	2

BASIC DIMENSION TOLERANCE		No.	PARTICULARS	MATERIAL	Q. TY	REMARKS		
WITHIN	OPERATING	SCALE 1/10	DATE 21. JUN. 2005	APP	CHE	DES	DWG	TITLE
OVER	MACHINE							
4	±0.1							HYDRAULIC CYLINDER
4	±0.2							CA φ700×φ500×930ST
16	±0.3							
63	±0.5							
250	±0.8							
1000	±1.2							
2000	±1.2							
THE OTHERS BASIC DIMENSION IS JIS TYPE B		NIPPON KIKI KOUGYOU Co., Ltd.		DWG/No.		202821-BC		